

SWISSPRO® SMART

Smartly installed under the sink



Swiss Made Technology
Swiss made unique 0.2 micron ceramic process eliminating all harmful cysts and bacteria.



Safe To Drink
Removes more than 99.99% microorganism with the silver ion incorporated ceramic that sterilize any bacteria present.



Eco Friendly
Its essential components are made of natural and biodegradable ingredients.



Durable
Long-lasting and reuseable filter systems



No Boiling & Electricity
No boiling & no electricity required. Energy & cost saving.



Health Benefits
Removes chlorine and heavy metals as well as health-threatening byproducts effectively. Cancer risk is reduced.

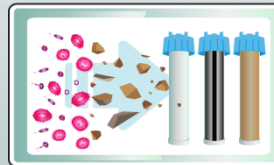


Quality Certified
Filtration systems are worldwide tested and certified from recognized associations.

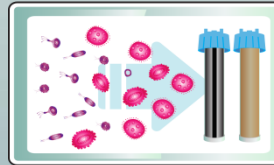


Retained Essential Minerals
pH neutral water to maintain the essential minerals in water for your body's absorption.

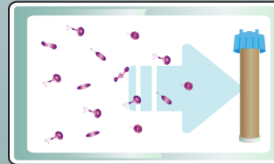
3 Step® Swisspro Filtration Process



STEP 1:
CleanSwiss - Preliminary Filter
Filters out suspended solids, like rust and sand particles, sizes more than 1 micron.



STEP 2:
CarboSwiss - Activated Carbon Filtration
Removes chemicals, odors and chlorine and heavy metals. Improves and enhances the natural taste of drinking water.



STEP 3:
CeraSwiss - Ceramic Filtration Technology
Removes more than 99.99% microorganisms and bacteria based on the 0.2 micron* - microporous & silver incorporated ceramic. Regeneration ability which is cleanable and reusable.



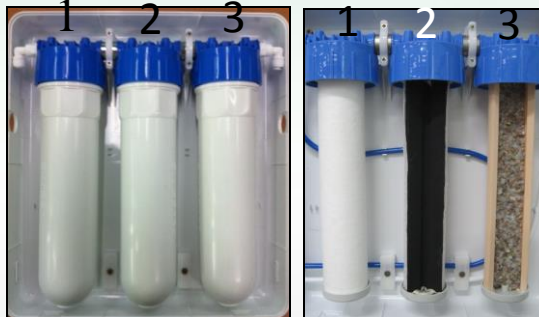
Result:
Safe and natural tasting drinking water from your tap

Dimension	33 (Length) x 36 (Height) x 10 (Breath) cm	
Flow Rate	1.5L / min	
Weight	3.5 kg (Dry) ~ 5 kg (Wet)	
Operating Pressure & Temperature	1.5 bar (Min)	20°C (Min)
	6 bar (Max)	35°C (Max)

SWISSPRO®  **SMART**

3 Step Swisspro Filter Process

Filter Elements



1. CleanSwissP

It works effectively against suspended solids that are more than 5 micron, such as rust and/or sand particles, without any use of chemicals.

Service Life: Approx. up to 6 - 12 months

2. CarboSwiss

Is a high performance activated carbon filter

- absorbs free chlorine
- remove other organic contaminants
- remove bad taste and odors
- remove lead and other heavy metals

Service Life: Approx. up to 12 months



3. CeraSwiss

A 0.2 micron ceramic microfilter

- trap all harmful bacterias
- retains suspended solids without using chemicals
- can be cleaned and reused
- Permanently incorporated Katadyn silver is working against bacteria recontamination from the outlet tap.

Service Life: Approx. 50,000L or 3 years



SMART CLASSIC (Default)

SMART DELUXE

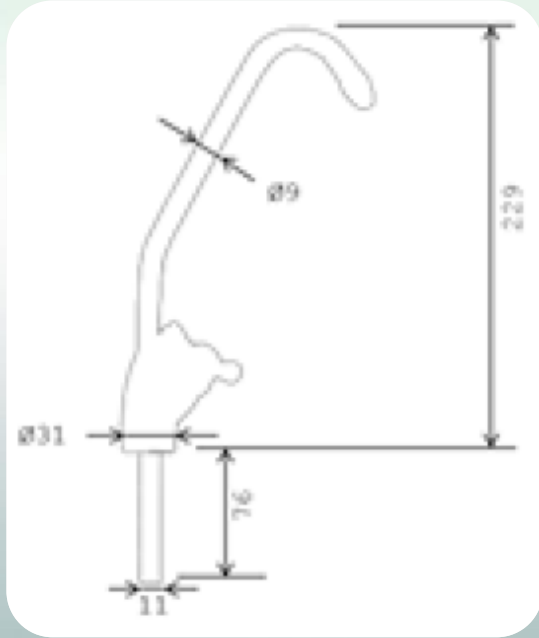
SMART PREMIUM

Models



Origin	Malaysia	Taiwan	USA
Material	Chrome-plated Brass	Chrome-plated Brass	Brilliance [®] Finish Stainless Steel
Valve	Ceramic Core Valve	Ceramic Disc	Touch20 [®] Technology on/off button
Inlet size	¼" inlet	¼" inlet	¼" inlet
Shank size	3"	3"	3"
Warranty	1year	1year	5years
Art. No.	SS000106	SS000111	SS000110

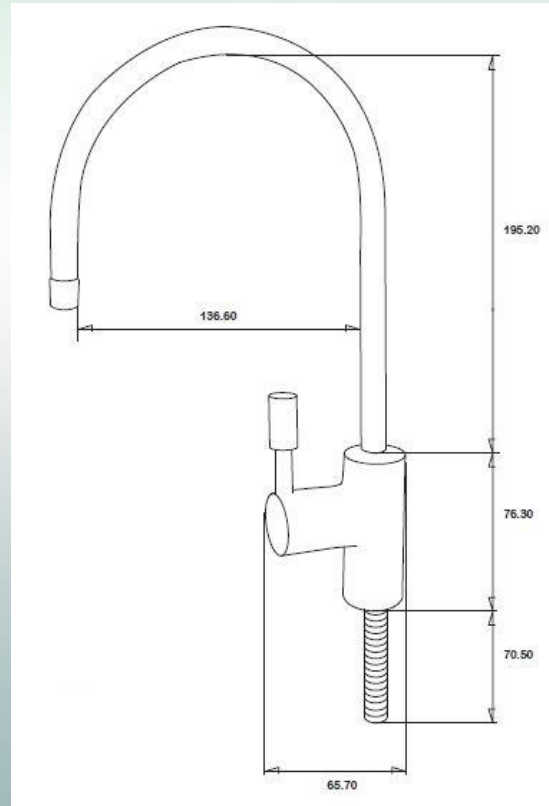
Sketch



*Scale drawing in mm

Drilling hole $\text{Ø}16\text{mm}$

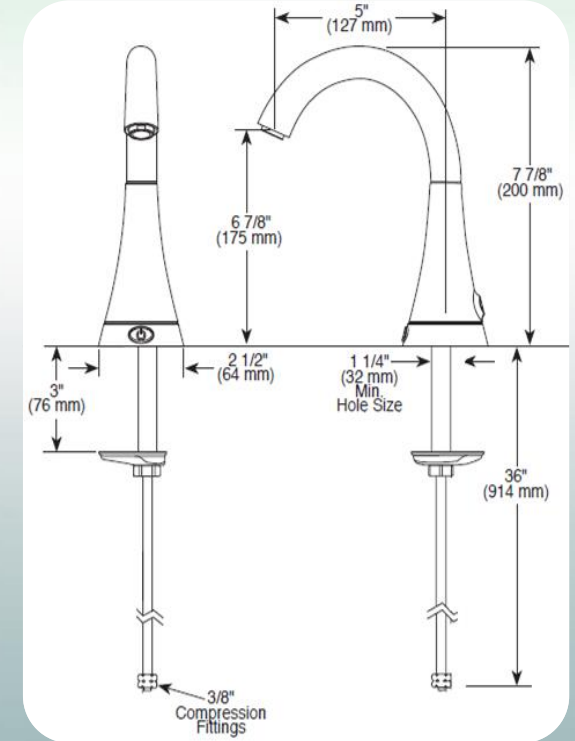
Table-top placement $\text{Ø}31\text{mm}$



*Scale drawing in mm

Drilling hole $\text{Ø}16\text{mm}$

Table-top placement $\text{Ø}30\text{mm}$



*Scale drawing in mm

Drilling hole $\text{Ø}30\text{mm}$

Table-top placement $\text{Ø}64\text{mm}$